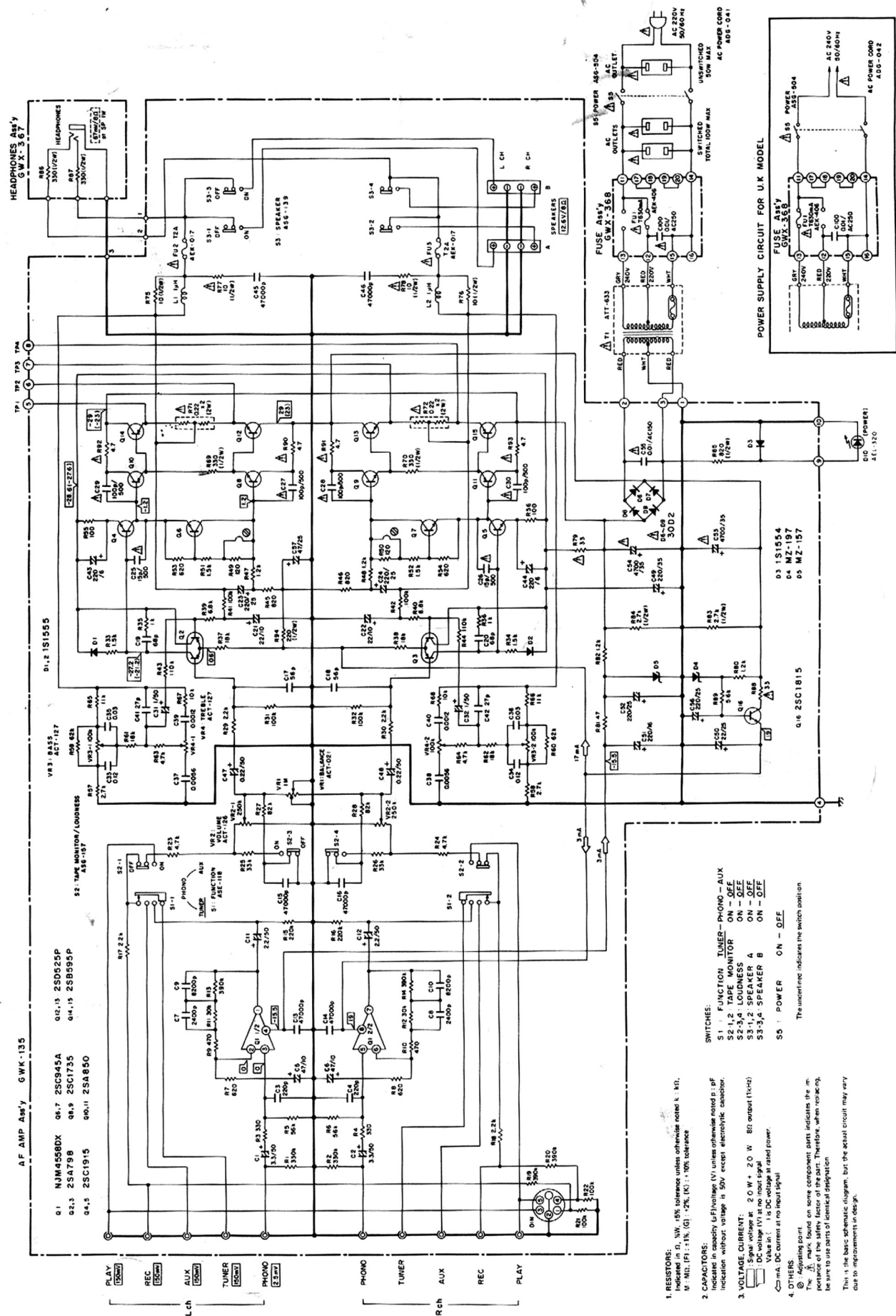


# SCHEMATIC DIAGRAM HE, HB models



AF AMP Assy G.W.K.-135

01 NUM4580X 06.7 25C045A  
 03.3 25A79B 08.5 25C1735  
 04.5 25C1915 09.11 25A850

VR3 8A57127 ACT-127  
 VR2-1 25D1 ACT-127  
 VR2-2 25D1 ACT-127  
 VR2-3 25D1 ACT-127

02-15 25D0525P  
 04-15 25B095P

02-15 1S1555

03 1S1554  
 04 MZ-197  
 05 MZ-157

03 1S1554  
 04 MZ-197  
 05 MZ-157

03 1S1554  
 04 MZ-197  
 05 MZ-157

03 1S1554  
 04 MZ-197  
 05 MZ-157

03 1S1554  
 04 MZ-197  
 05 MZ-157

03 1S1554  
 04 MZ-197  
 05 MZ-157

03 1S1554  
 04 MZ-197  
 05 MZ-157

03 1S1554  
 04 MZ-197  
 05 MZ-157

03 1S1554  
 04 MZ-197  
 05 MZ-157

03 1S1554  
 04 MZ-197  
 05 MZ-157

03 1S1554  
 04 MZ-197  
 05 MZ-157

03 1S1554  
 04 MZ-197  
 05 MZ-157

03 1S1554  
 04 MZ-197  
 05 MZ-157

03 1S1554  
 04 MZ-197  
 05 MZ-157

03 1S1554  
 04 MZ-197  
 05 MZ-157

- RESISTORS:**  
 Indicated in Ω, W, 5% tolerance unless otherwise noted; K: 1K; 10K tolerance
- CAPACITORS:**  
 μ: microfarads (μF); V: voltage (V) unless otherwise noted; pF: picofarads  
 Indication without voltage is 50V except electrolytic capacitor.
- VOLTAGE CURRENT:**  
 20 W, 2.0 W, 80 W output (110V)  
 Signal voltage is 20 W, 2.0 W, 80 W output (110V)  
 Value in V is DC voltage at rated power.
- OTHERS:**  
 Adjusting point.  
 The 'A' mark found on some component parts indicates the minimum safe factor of the part. Therefore, when replacing, be sure to use parts of identical specification.
- This is the basic schematic diagram, but the actual circuit may vary due to improvements in design.

- SWITCHES:**  
 S1: FUNCTION, TUNER - PHONO - AUX  
 S2-1,2: TAPE MONITOR ON - OFF  
 S2-3,4: LOUDNESS ON - OFF  
 S3-1,2: SPEAKER A ON - OFF  
 S3-3,4: SPEAKER B ON - OFF  
 S5: POWER ON - OFF
- The underlined indicates the switch position.

